

YANKEE HILL MACHINE Co., Inc.

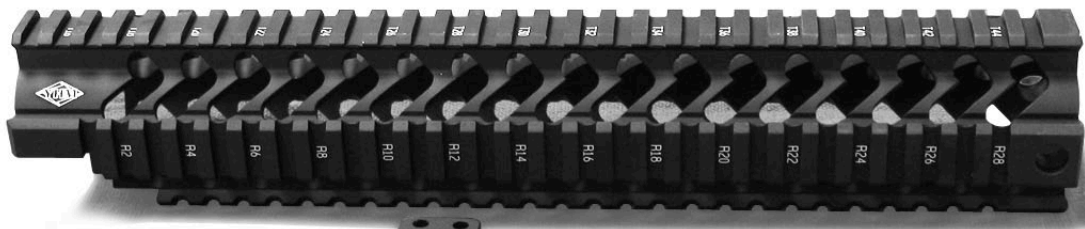
WWW.YHM.NET

PHONE: 1-877-892-6533

FAX: 1-413-586-1326

Installation Instructions: SLR Series Forearms

ONLY a licensed gunsmith experienced with your model of firearm should install this product. Failure to install this product correctly voids any warranties of the product and removes any liabilities against the manufacturer. Be certain the firearm is unloaded and the muzzle is pointed in a safe direction before starting this removal and installation process. This forearm cannot be installed on a rifle utilizing a pinned, welded, or otherwise permanently mounted muzzle accessory unless a two-piece gas block will also be installed.



**SLR
Wrench**



**Barrel
Nut**



**SLR
Clamp**

**SLR Series Forearm
(Rifle Length SLR-QUAD SHOWN)**



Screws

Recommended Tools:

- 9/64" Allen wrench
- Soft Hammer (NOT a Brass Hammer)
- Torque Wrench
- YHM Picatinny Vise Jaws (YHM-7350)
- 1 1/8" Wrench
- Benchtop Vise

Remove any existing handguard, front sight/gas block and any muzzle accessory per the manufacturer's instructions

Assembly of SLR Series handguard

1. Clean and degrease the threads on the upper receiver and Barrel Nut and let them dry. Install the new barrel nut until it is tightened by hand. Using the supplied SLR wrench and an 1 1/8" wrench tighten to 80 ft.-lbs. *Note: When guiding both the barrel nut and the wrenches over your barrel, be careful not to scratch the finish*

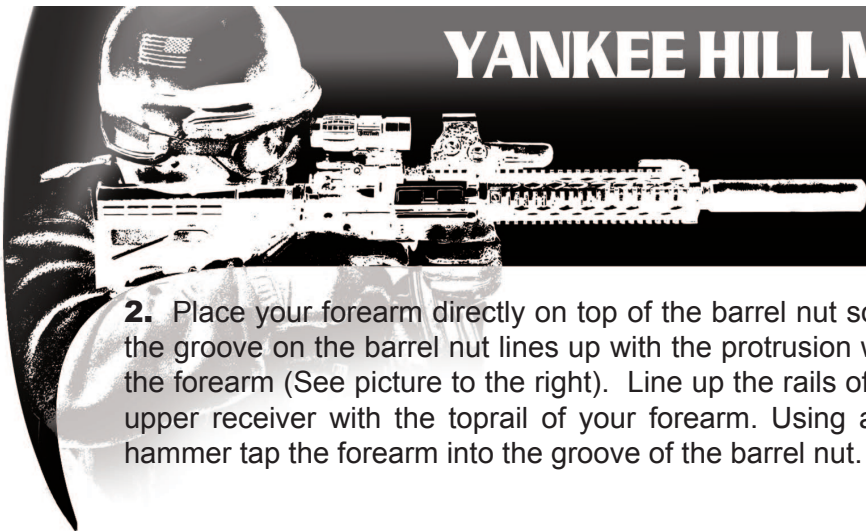
***If you are installing a low-profile gas block inside your new forearm, install it at this time according to the manufacturers instructions.**



**INSTALLATION
INSTRUCTIONS**



**CHECK OUT
OUR OTHER PRODUCTS AT YHM.NET**



2. Place your forearm directly on top of the barrel nut so that the groove on the barrel nut lines up with the protrusion within the forearm (See picture to the right). Line up the rails of your upper receiver with the top rail of your forearm. Using a soft hammer tap the forearm into the groove of the barrel nut.

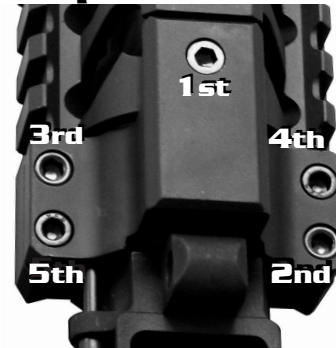


Step 3



3. To attach the SLR Clamp, flip your upper receiver and SLR hand-guard over to have easy access to the screw holes. Place the SLR Clamp so that its protrusion lines up within the groove of the barrel nut. You may need to tap it with a soft hammer again. (See Picture to the left). •YHM Picatinny Vise Jaws (YHM-7350) are designed to perfectly align your upper receiver and your forearm.

Step 4



4. Starting with the short screw on the bottom rail of your forearm, insert the screws in the pattern shown to the right (picture). Tighten the screws following the same pattern to 18 inch-lbs.

Congratulations your YHM SLR Series Forearm is now installed!

5. *Install any front sight/gas block and any muzzle accessory per the manufacturers instructions*

Before testing the firearm, be sure all components that were removed are reinstalled and tightened correctly. It is recommended that you bench fire the firearm first to be sure everything is operating smoothly. Always handle your firearm with care being sure the muzzle is pointing in a safe direction and wear approved shooting glasses and hearing protection when using your firearm.

Online Installation Instructions



**DO NOT
THROW AWAY**
SCREWS, ALLEN WRENCH,
and SLR WRENCH
INCLUDED WITH
INSTRUCTIONS

