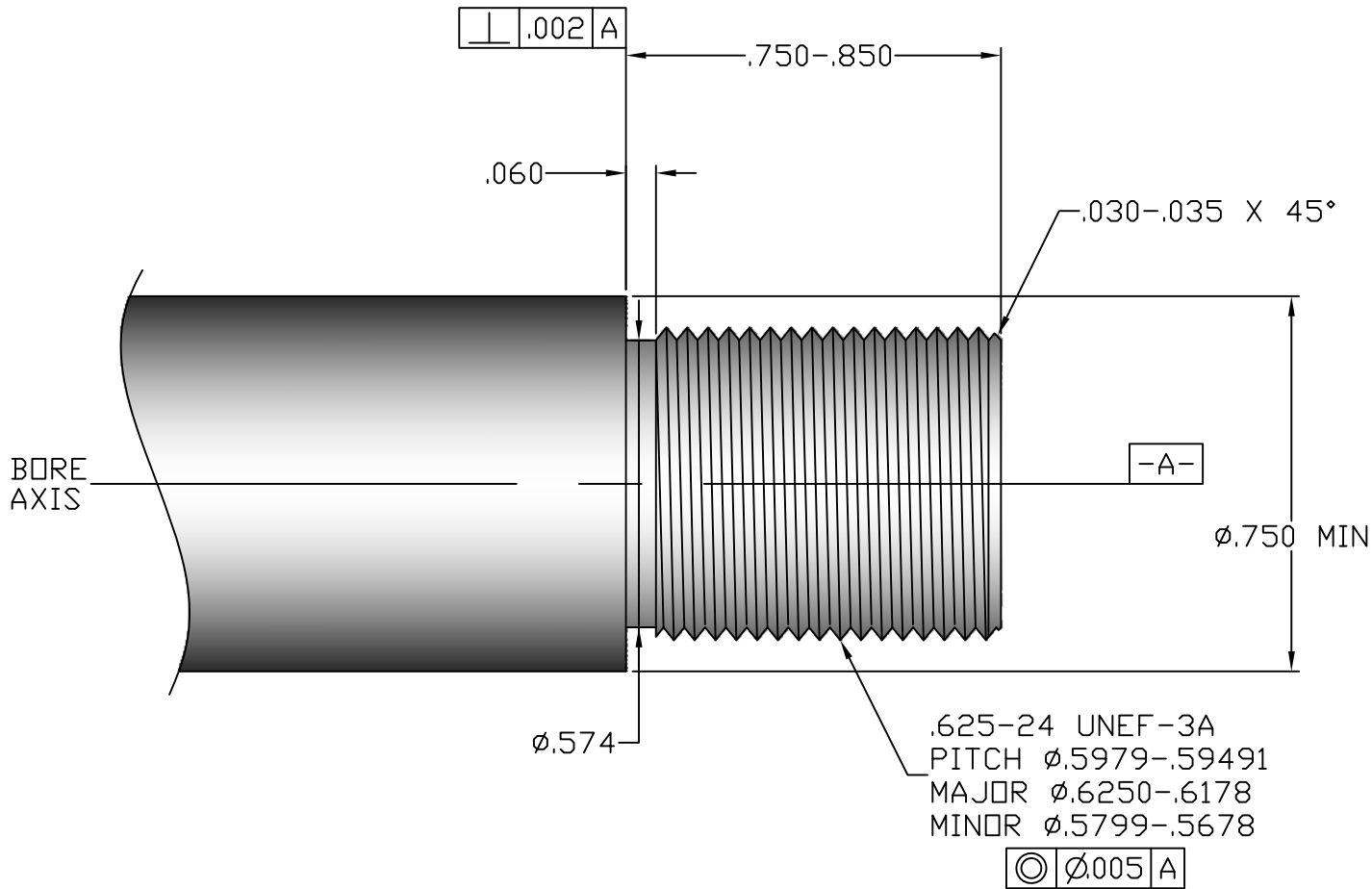


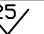
PROPRIETARY INFORMATION

THIS ENTIRE DOCUMENT AND ALL INFORMATION HEREON ARE PROPRIETARY AND THE EXCLUSIVE PROPERTY OF YANKEE HILL MACHINE COMPANY, NORTHAMPTON, MA, U.S.A. AND SHALL NOT BE REPRODUCED, DUPLICATED, OR COPIED IN WHOLE OR IN PART, OR OTHERWISE DISCLOSED OR MADE AVAILABLE TO ANY OTHER PERSON, FIRM, OR CORPORATION OR OTHERWISE USED WITHOUT THE PRIOR WRITTEN PERMISSION OF THE OWNER. THIS DRAWING OR PRINT MUST BE RETURNED TO THE OWNER UPON COMPLETION OF THE PURPOSE FOR WHICH IT WAS RELEASED BY YANKEE HILL MACHINE COMPANY, NORTHAMPTON, MA, U.S.A. OR EARLIER UPON DEMAND OF THE OWNER.



.625-24 UNEF-3A
 PITCH ϕ .5979-.59491
 MAJOR ϕ .6250-.6178
 MINOR ϕ .5799-.5678

Yankee Hill Machine, Inc. 

UNLESS OTHERWISE SPECIFIED	DVS REVISIONS				DESCRIPTION			
	LET.	DATE	BY	APPD BY				
B/E .005 MAX					.625-24 UNEF-3A FOR .338 PHANTOM FLASH HIDER			
FIL R. .015 MAX								
TOL \pm .005								
SURF. FIN. 125 								
ANGLES \pm 2°								
					STEP	DP	PART NUMBER	
					DRAWN BY		DATE	THREAD SPEC
							SHT. OF	

NOTES:
 1) ALL DIMS CONCENTRIC WITHIN .003 T.I.R.