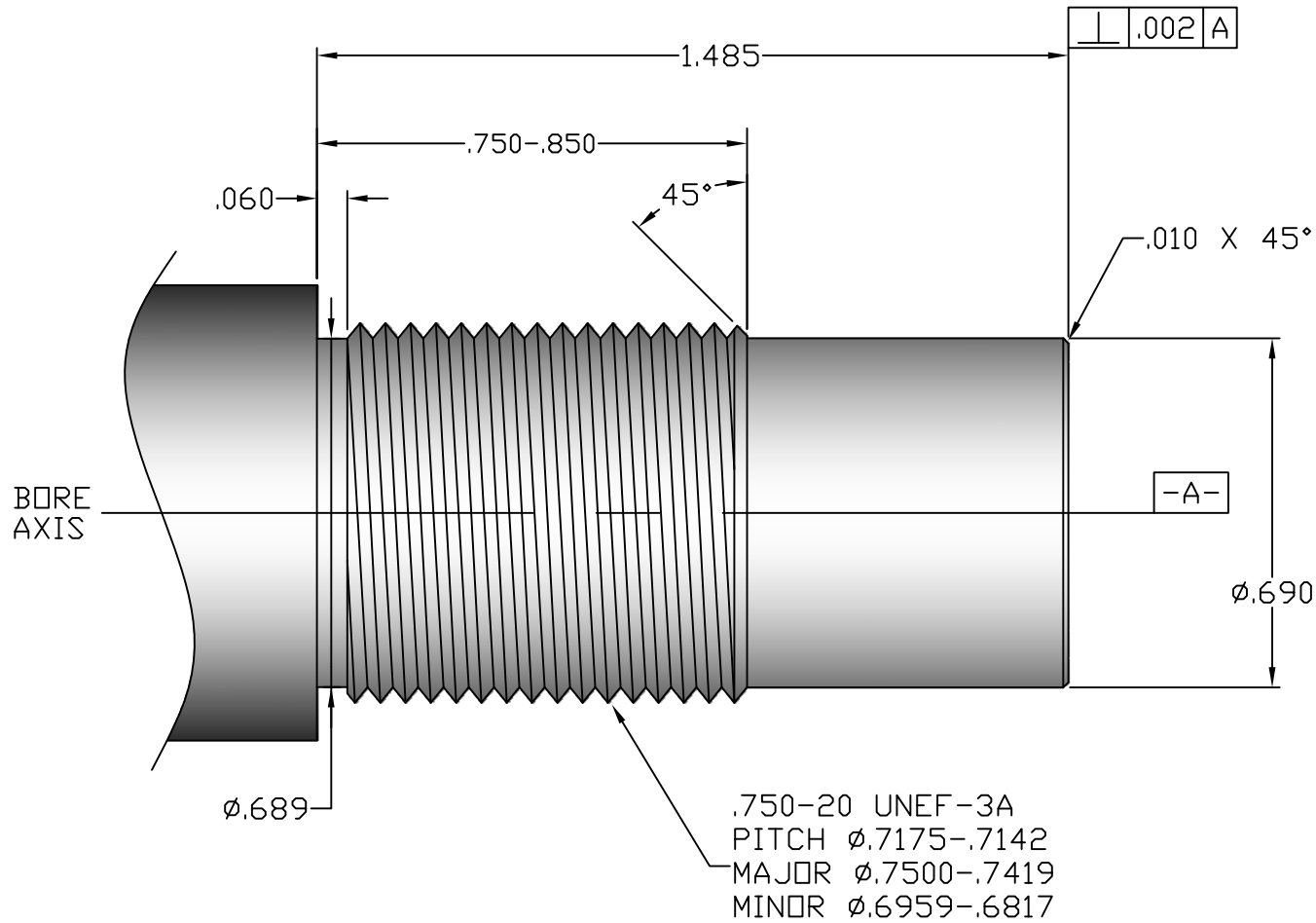


**PROPRIETARY INFORMATION**

THIS ENTIRE DOCUMENT AND ALL INFORMATION HEREON ARE PROPRIETARY AND THE EXCLUSIVE PROPERTY OF YANKEE HILL MACHINE COMPANY, NORTHAMPTON, MA, U.S.A. AND SHALL NOT BE REPRODUCED, DUPLICATED, OR COPIED IN WHOLE OR IN PART, OR OTHERWISE DISCLOSED OR MADE AVAILABLE TO ANY OTHER PERSON, FIRM, OR CORPORATION OR OTHERWISE USED WITHOUT THE PRIOR WRITTEN PERMISSION OF THE OWNER. THIS DRAWING OR PRINT MUST BE RETURNED TO THE OWNER UPON COMPLETION OF THE PURPOSE FOR WHICH IT WAS RELEASED BY YANKEE HILL MACHINE COMPANY, NORTHAMPTON, MA, U.S.A. OR EARLIER UPON DEMAND OF THE OWNER.



.750-20 UNEF-3A  
 PITCH  $\phi$ .7175-.7142  
 MAJOR  $\phi$ .7500-.7419  
 MINOR  $\phi$ .6959-.6817

◎ .005 A

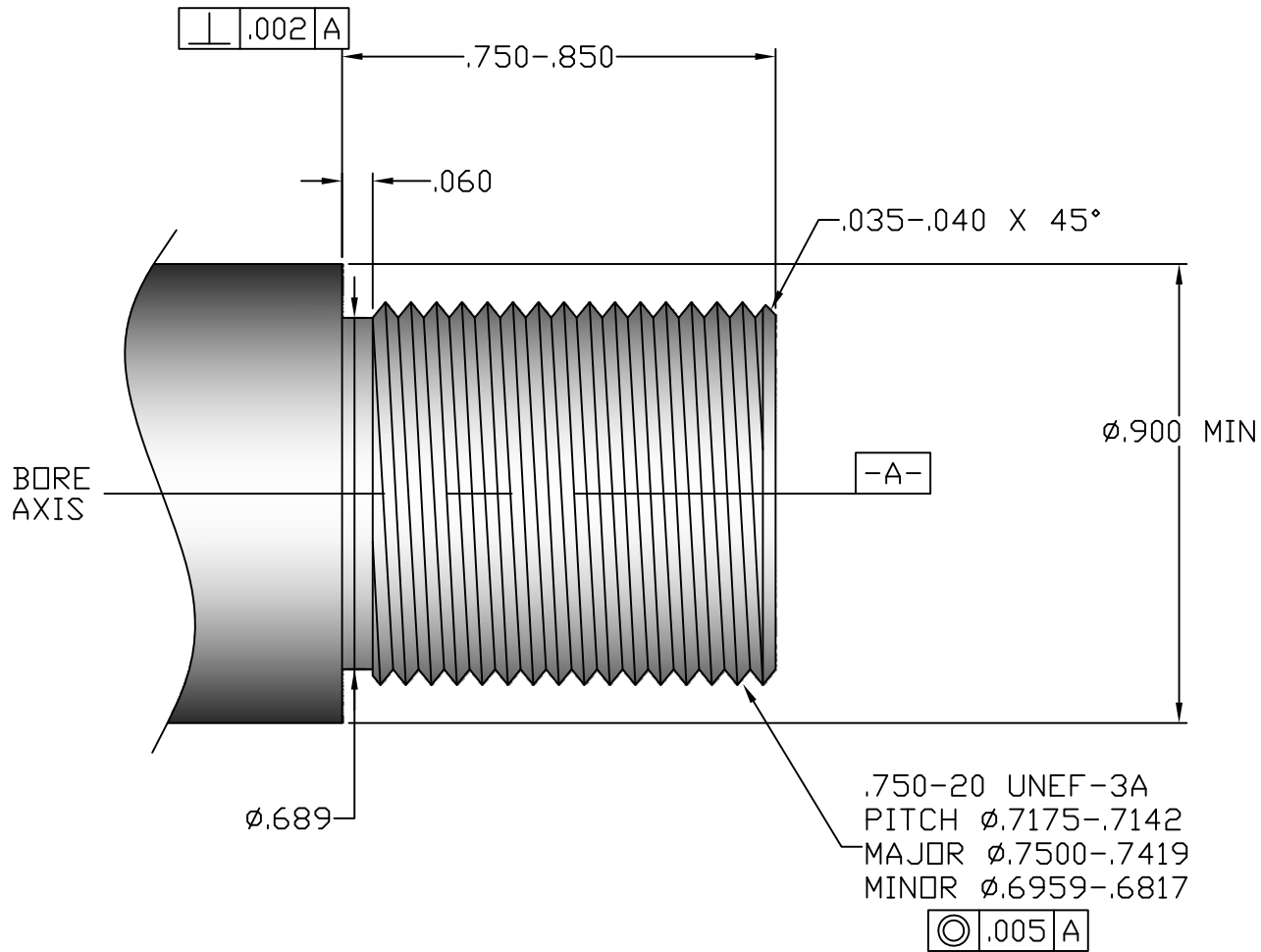
Yankee Hill Machine, Inc.

UNLESS OTHERWISE SPECIFIED	DVS REVISIONS				DESCRIPTION		
	LET.	DATE	BY	APPD BY			
B/E .005 MAX					.750-20 UNEF-3A FOR .338 PHANTOM FLASH HIDER		
FIL R. .015 MAX							
TOL $\pm$ .005					STEP	DP	PART NUMBER
SURF.FIN. 125 <input checked="" type="checkbox"/>					THREAD SPEC		
ANGLES $\pm$ 2°					DRAWN BY	DATE	SHT. OF

**NOTES:**  
 1) ALL DIMS CONCENTRIC WITHIN .003 T.I.R.  
 2) FOR INDEXING ON THE MUZZLE ONLY

PROPRIETARY INFORMATION

THIS ENTIRE DOCUMENT AND ALL INFORMATION HEREON ARE PROPRIETARY AND THE EXCLUSIVE PROPERTY OF YANKEE HILL MACHINE COMPANY, NORTHAMPTON, MA, U.S.A. AND SHALL NOT BE REPRODUCED, DUPLICATED, OR COPIED IN WHOLE OR IN PART, OR OTHERWISE DISCLOSED OR MADE AVAILABLE TO ANY OTHER PERSON, FIRM, OR CORPORATION OR OTHERWISE USED WITHOUT THE PRIOR WRITTEN PERMISSION OF THE OWNER. THIS DRAWING OR PRINT MUST BE RETURNED TO THE OWNER UPON COMPLETION OF THE PURPOSE FOR WHICH IT WAS RELEASED BY YANKEE HILL MACHINE COMPANY, NORTHAMPTON, MA, U.S.A. OR EARLIER UPON DEMAND OF THE OWNER.



Yankee Hill Machine, Inc. 

UNLESS OTHERWISE SPECIFIED	DVS REVISIONS				DESCRIPTION			
	LET.	DATE	BY	APPD BY				
B/E .005 MAX					.750-20 UNEF-3A FOR .338 PHANTOM FLASH HIDER			
FIL R. .015 MAX								
TOL $\pm .005$								
SURF.FIN. $125 \checkmark$								
ANGLES $\pm 2^\circ$								
					STEP	DP	PART NUMBER	
					DRAWN BY		DATE	THREAD SPEC
							SHT. OF	

NOTES:

- 1) ALL DIMS CONCENTRIC WITHIN .003 T.I.R
- 2) FOR INDEXING ON SHOULDER BEHIND THREADS ONLY.