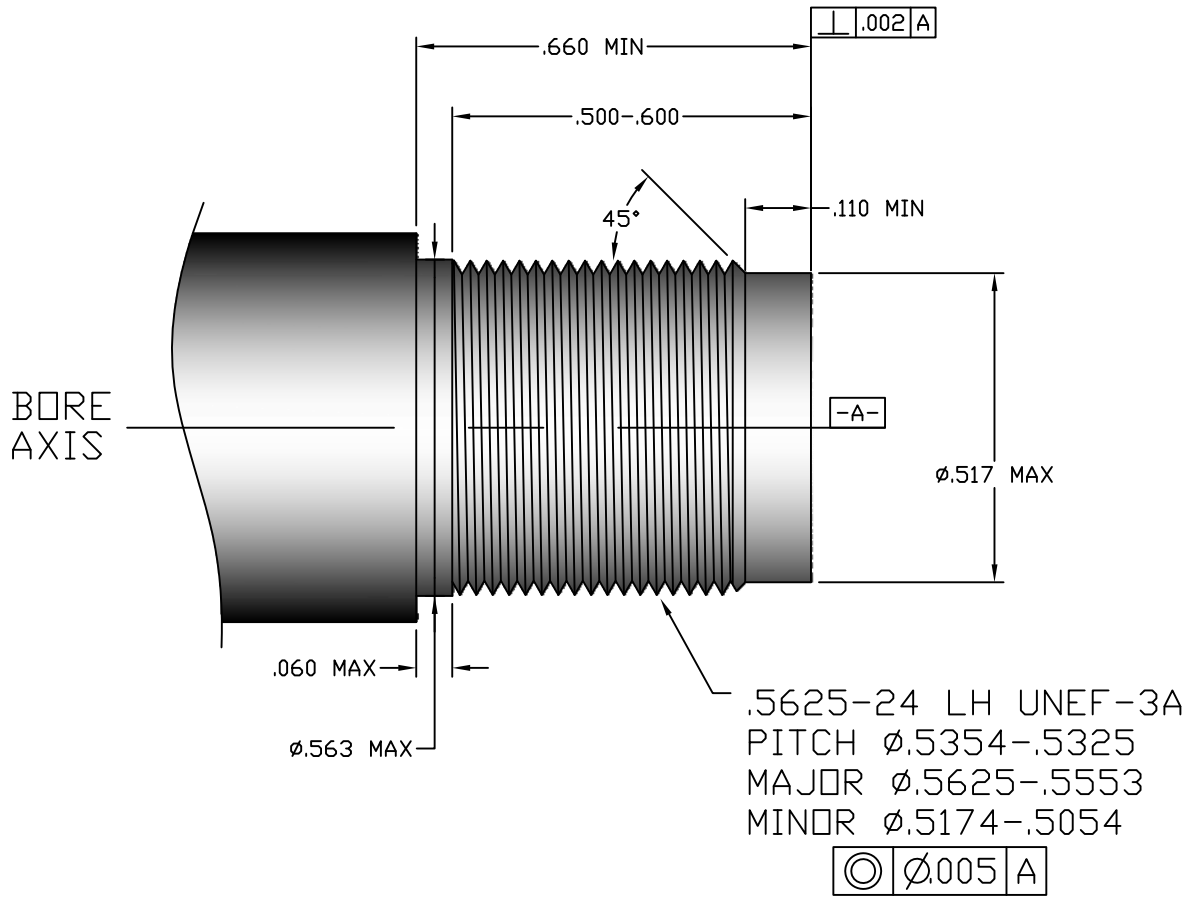


PROPRIETARY INFORMATION

THIS ENTIRE DOCUMENT AND ALL INFORMATION HEREON ARE PROPRIETARY AND THE EXCLUSIVE PROPERTY OF YANKEE HILL MACHINE COMPANY, NORTHAMPTON, MA, U.S.A. AND SHALL NOT BE REPRODUCED, DUPLICATED, OR COPIED IN WHOLE OR IN PART, OR OTHERWISE DISCLOSED OR MADE AVAILABLE TO ANY OTHER PERSON, FIRM, OR CORPORATION OR OTHERWISE USED WITHOUT THE PRIOR WRITTEN PERMISSION OF THE OWNER. THIS DRAWING OR PRINT MUST BE RETURNED TO THE OWNER UPON COMPLETION OF THE PURPOSE FOR WHICH IT WAS RELEASED BY YANKEE HILL MACHINE COMPANY, NORTHAMPTON, MA, U.S.A. OR EARLIER UPON DEMAND OF THE OWNER.



Yankee Hill Machine, Inc.

UNLESS OTHERWISE SPECIFIED	DVS REVISIONS				DESCRIPTION		
	LET.	DATE	BY	APP'D BY			
B/E .005 MAX					.5625-24 LH UNEF-3A FOR .762 PHANTOM FLASH HIDER		
FIL R. .015 MAX							
TOL ± .005					STEP	DP	PART NUMBER
SURF. FIN. 125/					THREAD SPEC		
ANGLES ± 2°					DRAWN BY	DATE	SHT. OF

NOTES:

1) ALL DIMS CONCENTRIC WITHIN .003 T.I.R.