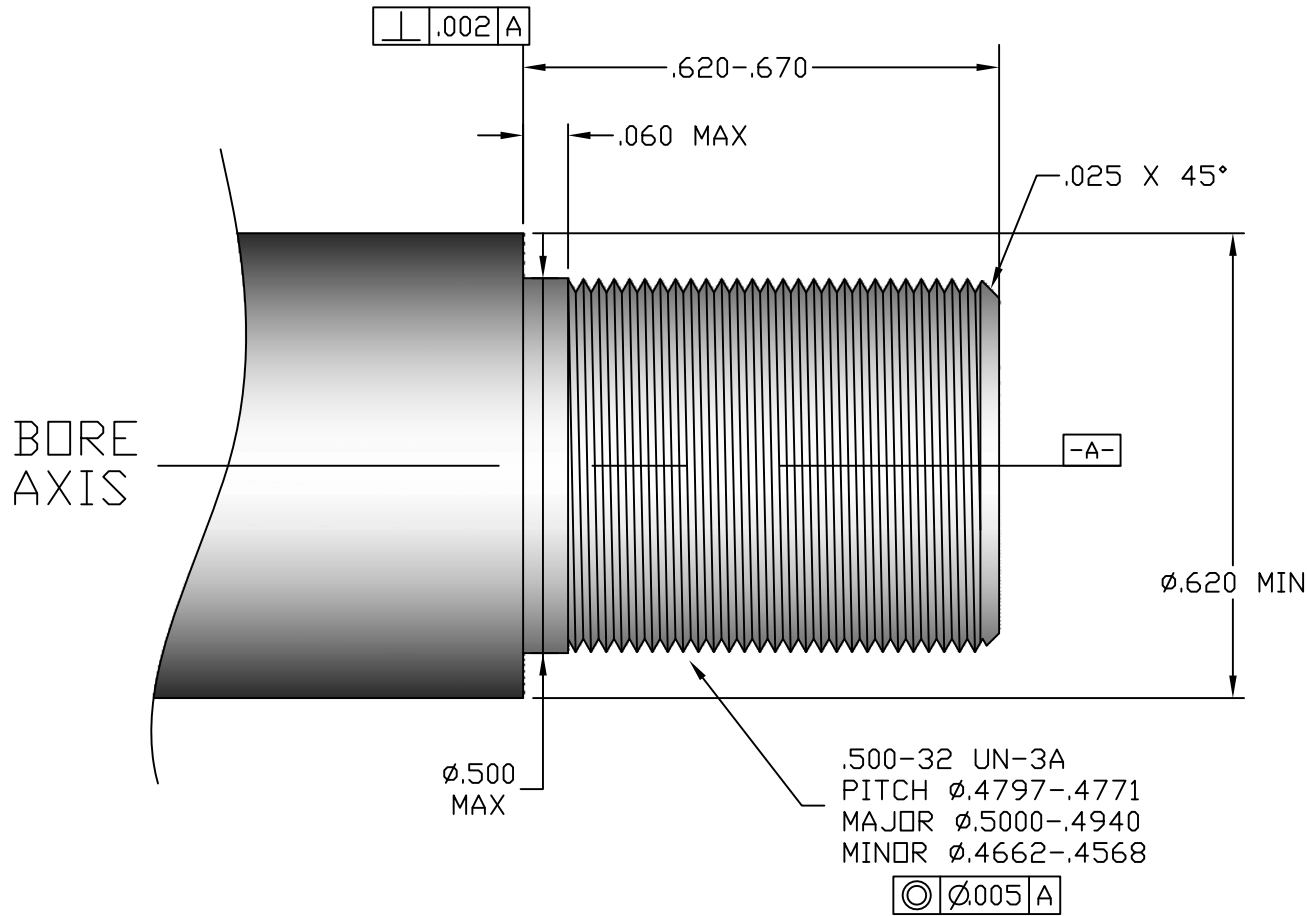



PROPRIETARY INFORMATION

THIS ENTIRE DOCUMENT AND ALL INFORMATION HEREON ARE PROPRIETARY AND THE EXCLUSIVE PROPERTY OF YANKEE HILL MACHINE COMPANY, NORTHAMPTON, MA, U.S.A. AND SHALL NOT BE REPRODUCED, DUPLICATED, OR COPIED IN WHOLE OR IN PART, OR OTHERWISE DISCLOSED OR MADE AVAILABLE TO ANY OTHER PERSON, FIRM, OR CORPORATION OR OTHERWISE USED WITHOUT THE PRIOR WRITTEN PERMISSION OF THE OWNER. THIS DRAWING OR PRINT MUST BE RETURNED TO THE OWNER UPON COMPLETION OF THE PURPOSE FOR WHICH IT WAS RELEASED BY YANKEE HILL MACHINE COMPANY, NORTHAMPTON, MA, U.S.A. OR EARLIER UPON DEMAND OF THE OWNER.



Yankee Hill Machine, Inc. 

UNLESS OTHERWISE SPECIFIED	DVS REVISIONS				DESCRIPTION			
	LET.	DATE	BY	APPD BY				
B/E .005 MAX					.500-32 UN-3A 9MM WRAITH XL Q.D. MOUNT			
FIL R. .015 MAX								
TOL $\pm$ .005								
SURF. FIN. 125 								
ANGLES $\pm$ 2°					STEP	DP	PART NUMBER	THREAD SPEC
					DRAWN BY	DATE	SHT. OF	

NOTES:

1) ALL DIMS CONCENTRIC WITHIN .003 T.I.R.