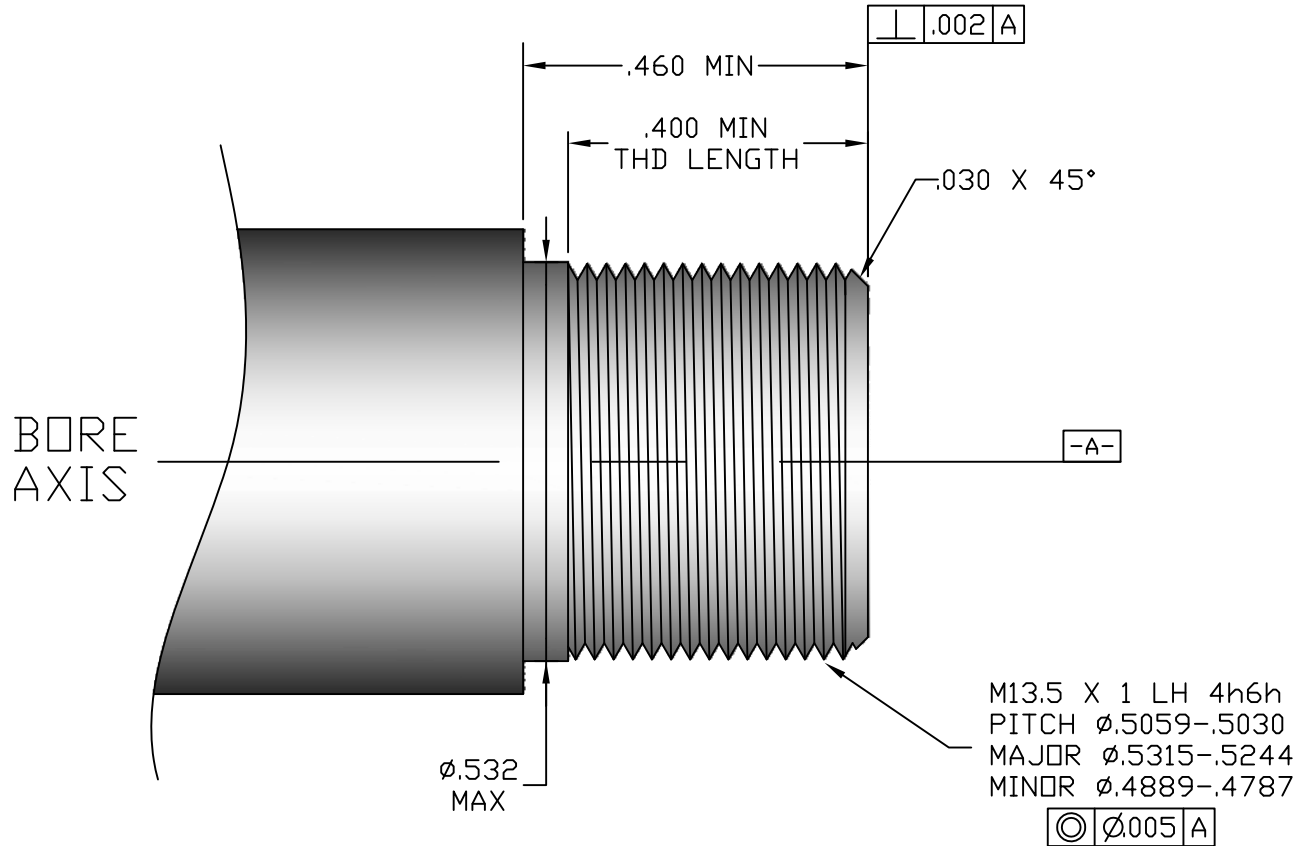


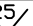
PROPRIETARY INFORMATION

THIS ENTIRE DOCUMENT AND ALL INFORMATION HEREON ARE PROPRIETARY AND THE EXCLUSIVE PROPERTY OF YANKEE HILL MACHINE COMPANY, NORTHAMPTON, MA, U.S.A. AND SHALL NOT BE REPRODUCED, DUPLICATED, OR COPIED IN WHOLE OR IN PART, OR OTHERWISE DISCLOSED OR MADE AVAILABLE TO ANY OTHER PERSON, FIRM, OR CORPORATION OR OTHERWISE USED WITHOUT THE PRIOR WRITTEN PERMISSION OF THE OWNER. THIS DRAWING OR PRINT MUST BE RETURNED TO THE OWNER UPON COMPLETION OF THE PURPOSE FOR WHICH IT WAS RELEASED BY YANKEE HILL MACHINE COMPANY, NORTHAMPTON, MA, U.S.A. OR EARLIER UPON DEMAND OF THE OWNER.



M13.5 X 1 LH 4h6h  
 PITCH  $\phi.5059-.5030$   
 MAJOR  $\phi.5315-.5244$   
 MINOR  $\phi.4889-.4787$

Yankee Hill Machine, Inc. 

UNLESS OTHERWISE SPECIFIED	DVS REVISIONS				DESCRIPTION		
	LET.	DATE	BY	APPD BY			
B/E .005 MAX					M13.5 X 1 LH COBRA M2, UNIVERSAL THREAD ADAPTER		
FIL R. .015 MAX							
TOL $\pm .005$							
SURF. FIN. 125 							
ANGLES $\pm 2^\circ$							
					STEP	DP	PART NUMBER
					THREAD SPEC		
					DRAWN BY	DATE	SHT. OF

NOTES:  
 1) ALL DIMS CONCENTRIC WITHIN .003 T.I.R.